



## Key Features

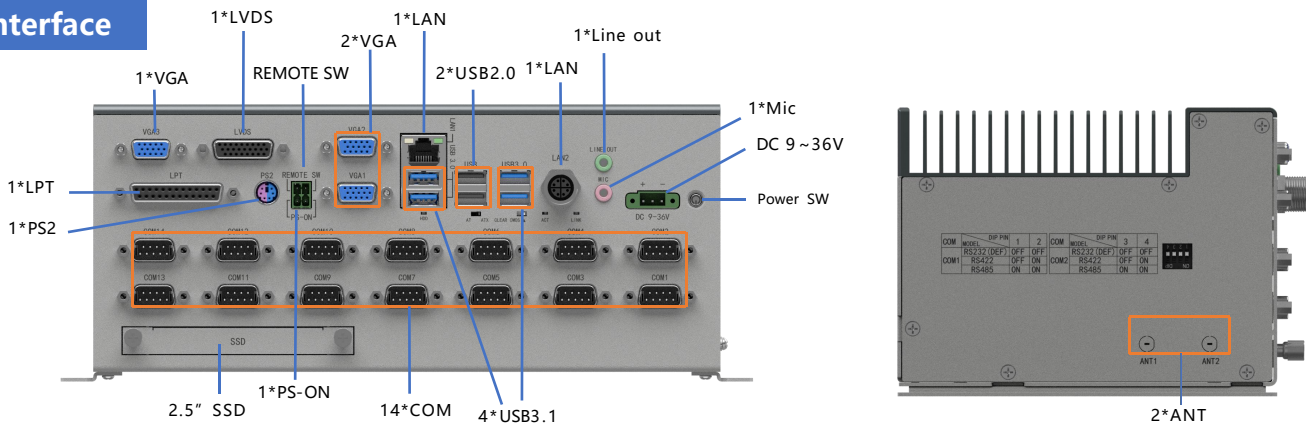
- Intel® Tiger lake U Soc CPU
- 1\*DDR4 3200MHz SODIMM memory, up to 32GB
- 1\*LVDS+2\*VGA or 3\*VGA, Supports 3 displays
- 2\* RLT8111H, dual gigabit network portn
- 4\*USB3.2, 2\*USB2.0, 14\*COM
- 1\*LPT, 1\*PS2, 1\*PS-ON, 1\*Remote SW
- 1\*Mini-PCIe, optional support PCIe signal module/Wif module
- 128GB mSATA, 32GB 2.5" easily pluggable SSD
- DC 9-36V wide voltage DC power supply
- Single-side IO interface design, save installation space, simple field wiring



## Overview

SIGM-3255 is a airless AFC dedicated industrial computer powered by Intel® Tiger lake U Soc processor. Single-channel DDR4 3200MHz memory. Rich IO function interface, DC 9~36V wide voltage power supply, single-side IO design, simple installation and wiring, suitable for rail AFC and screen door industry applications.

## Interface

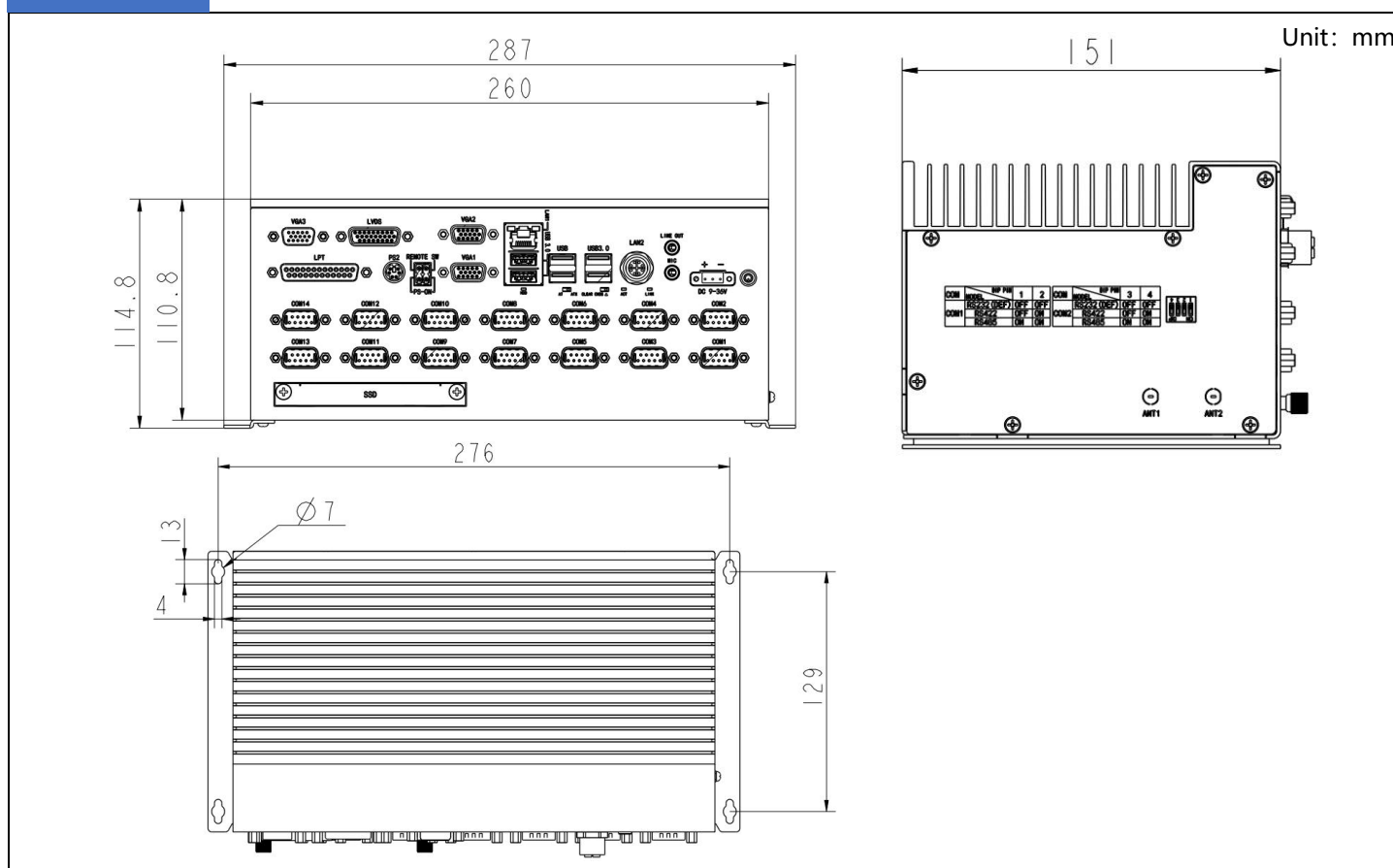


## SPEC.

CPU	Intel®Tiger lake U Soc Core I7/I5/I3/Celeron CPU
Memory	Single-channel DDR4 260-pin SO-DIMM, support 3200MHz, up to 32GB
Expansion	1*Mini PCIe Full Size, optional support PCIe signal module/Wif module
Graphics	CPU integrated Intel® UHD Graphics LVDS max. res. 1920x1200@60Hz, VGA max. res. 1920*1200@60Hz, supporting three independent displays and one copy display
Audio	Optional support for Realtek ALC897 Audio, Audio out and MIC
LAN	2*RLT8111H chip Gigabit network port, 10/100/1000Mbps rate adaptive
Storage	1*128GB mSATA , 1*2.5 " 32GB SSD , dual storage
I/O ports	2*LAN (1*RJ45, 1*M12) 4*USB3.2 (Type A) , 2*USB2.0 1*Audio-out和1*MIC (3.5mm phone jack) 1*LVDS+3*VGA 14*COM(2*RS232/422/485, 12*RS232, DB9 Male) 1*LPT, 1*PS2, 1*PS-ON, 1*Remote SW
LED	1*Power LED, 1*HDD LED, 2*LAN LED
Control SW	1*Power SW, 1*Remote SW , 1*AT/ATX SW, 1*Clear CMOS SW
Power Supply	Power module 9-36V wide voltage input, 3-pin terminal interface, TDP: TBD
Watchdog Timer	Watchdog timeout programmable via software 1 to 255 second
OS Support	Custom version Fedora38 Xfce, kernel version 6.8.9

Structure	Aluminum extruded heat dissipation shell, paint process SGCC box
Color	Silver gray
Mounting	Desktop Mounting
Dimension	(W*H*D) : 260*151*110.8mm (Without mounting kit) , 287*151*114.8mm (With mounting kit)
Net weight	3.5kg
Operating temperature	-20 ~ 70°C
Storage Temperature	-40°C~85°C
Storage Humidity	10~90%@40°C, Non-condensing
Vibration	5grms/5~500Hz/random/in working(SSD); 1grms/5~500Hz/random/in working(HDD)
Shock	50g peak acceleration(11ms duration)(SSD); 20g peak acceleration(11ms duration)(HDD)
EMC/Certification	Chinese 3C

## Dimensions



## Ordering Info.

Model No.	Introduction
SIGM-3255	Fanless AFC special industrial computer , Intel®Tiger lake U Soc Core i7/i5/i3/Celeron CPU , 1*DDR4 3200MHz memory, 2*LAN, 4*USB3.2, 2*USB2.0, 1*Mini PCIe, 14*COM, 1*LPT, 1*PS-ON, 1*Remote SW, 1*LVDS+2*VGA (or 3*VGA), 1*Audio out, 1*Mic, 128GB mSATA , 32GB 2.5" SSD , DC-IN 9~36V
PS2 keyboard and mouse cable	20cm PS/2 Y-Cable for Keyboard and Mouse (1-to-2 Splitter)
PA-60DC12 assembly	AC/DC adapter, DC 12V/5A 60W+X power cable